

Vegetable Slicer Cutter Slicer 5.5 Lt - Variable Speed - Japan

ITEM # _____

MODEL # _____

NAME # _____

SIS # _____

AIA # _____


602324 (K55VV1J)

Cutter Mixer 5,5 Lt capacity, variable speed. Supplied with micro toothed blade rotor and stainless steel bowl, JIS plug, 100V/1 (Japan)

Short Form Specification

Item No.

Table-top cutter and emulsifier thanks to the ergonomic and easily dismantlable scraper, in heavy duty composite material, for liquidising, mixing and mincing in a matter of seconds. Stainless steel 5,5 litre bowl with high chimney to increase the real capacity of the bowl. Unique bowl design for mixing both large or small quantities. Transparent lid to check consistency of food and to eventually add ingredients without having to open the lid. Hinged cover, when lifted, remains open to permit a fast and easy check of preparation. Micro toothed blades in 420 AISI stainless steel. All parts are easily dismantled and dishwasher safe. Multiple safety devices ensure the machine will only operate when the cover is properly closed and all parts are correctly positioned. Flat and waterproof control panel with on/off button, pulse function and variable speed (from 300 to 3700 rpm).

Main Features

- Emulsifier function (scraper) included as standard.
- All parts in contact with food are removable without the use of tools, completely dismantlable and dishwasher safe.
- Pulse function for coarse chopping.
- Base fixed cover for a better handling.
- Capacity: for 50-100 meals per service.
- Delivered with:
- 5,5 Lt stainless steel cutter bowl, transparent lid, scraper and microtoothed blade rotor.

Construction

- All blades (available on request) are made in stainless steel and dishwasher safe.
- Power: 1.3 HP.
- Stainless steel bowl has a high chimney to ensure high productivity also when processing liquids.
- IPX5 (IP55) waterproof, flat, touch-control panel.
- Compact and portable design.
- Asynchronous industrial motor with no brushes for high reliability and quiet functioning, stainless steel motor shaft.
- Improved ventilation system to manage smoothly heavy duty use.
- Reinforced feet to withstand the repeated handling of the unit.
- Food processing at 10 variable speeds: 300-3700 rpm.

Included Accessories

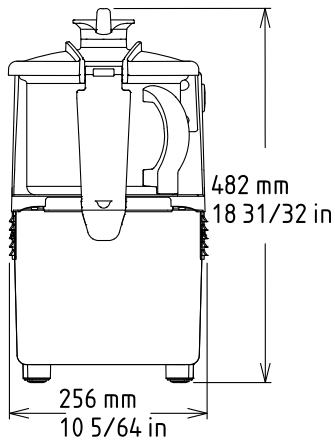
- 1 of Lid and bowl scraper for 5,5 Lt cutter mixer PNC 650102
- 1 of Stainless steel bowl for 5,5 Lt cutter mixer PNC 653590
- 1 of Microtoothed blade rotor for 5,5 Lt cutter mixer PNC 653879

Optional Accessories

- Lid and bowl scraper for 5,5 Lt cutter mixer PNC 650102
- Emulsifying kit for TRK, K55 variable speed, including 5,5 Lt ss bowl, smooth emulsion blade, lid and scraper PNC 650103
- Stainless steel bowl for 5,5 Lt cutter mixer PNC 653590
- Smooth blade rotor for 5,5 Lt cutter mixer PNC 653878
- Microtoothed blade rotor for 5,5 Lt cutter mixer PNC 653879
- Microtoothed blade rotor (for emulsions) for 5,5 Lt cutter mixer PNC 653880

APPROVAL: _____

Front


Electric
Supply voltage:

602324 (K55VV1J) 100 V/1N ph/50/60 Hz

Total Watts:

1.3 kW

Capacity:
Capacity: 5.5 litres

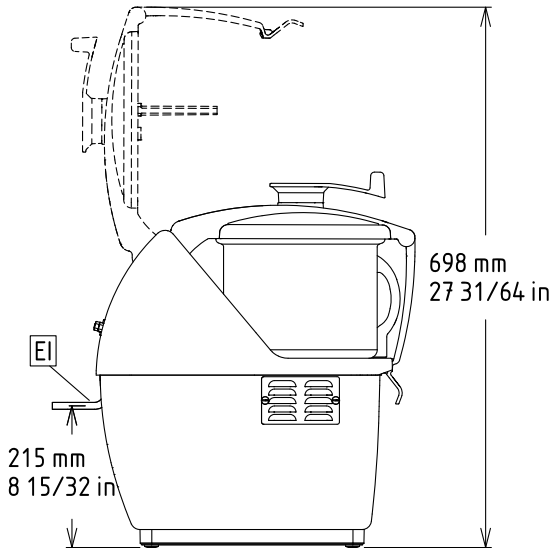
Key Information:
External dimensions, Width: 256 mm

External dimensions, Depth: 415 mm

External dimensions, Height: 482 mm

Shipping weight: 23 kg

Side



EI = Electrical inlet (power)

Top

